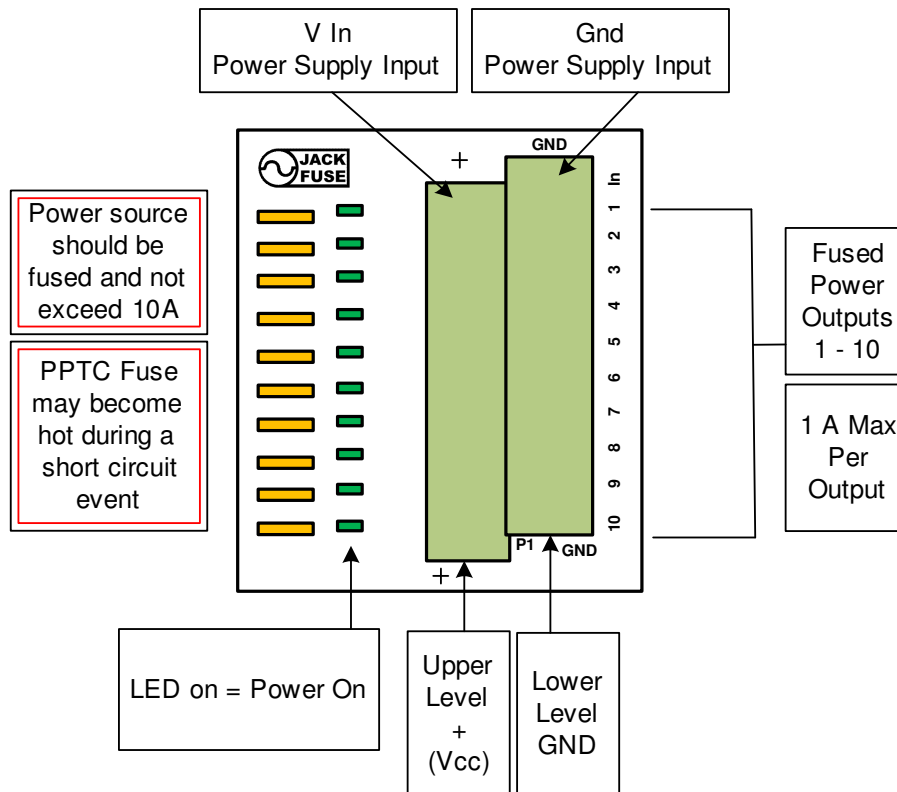


## Jack Fuse – PP10HD – Quick Install Note

This note is a quick guide only. Please refer to full installation notes available from [jackfuse.com](http://jackfuse.com) before first installing this module.



### Mounting

Clips directly to most DIN rail types.

### Re-settable Fuses

The output fuse(s) will trip in an over-current situation and re-set when the current fault has cleared and the fuse cooled. (Typically <1 second). Note that exact trip & re-set requirements are subject to variables such as voltage and temperature. Contact Jack Fuse for de-rating information. Beware that fuses will become hot when tripped. Avoid touching fuses at all times when the PP10HD is powered.

### Technical Data

|                                  |  |
|----------------------------------|--|
| Input voltage                    | 5 to 24 VDC (power supply should have master fuse) |
| Number of outputs                | 10   |
| Max current per output           | 1A   |
| Fuse I-hold                      | 1.1A (PTC fuse @ 20 degrees C)                     |
| Fuse I-trip                      | 2.2A (PTC fuse @ 20 degrees C)                     |
| Max current total                | 10A  |
| Max wire conductor size          | 3.3mm <sup>2</sup> (12 AWG)                        |
| Terminal Type                    | 5mm, double deck, rising cage (screw)              |
| Mounting                         | DIN Rail   |
| Dimensions (with mounting clips) | 75 L X 55 W X 55 H (mm)                            |

For complete install notes, data sheets, more products and technical support please visit [www.jackfuse.com](http://www.jackfuse.com)

