



ATMOD

Installation Note

Pre-built End of Line (EOL) resistor module with quick-connect terminals for security and access control systems.

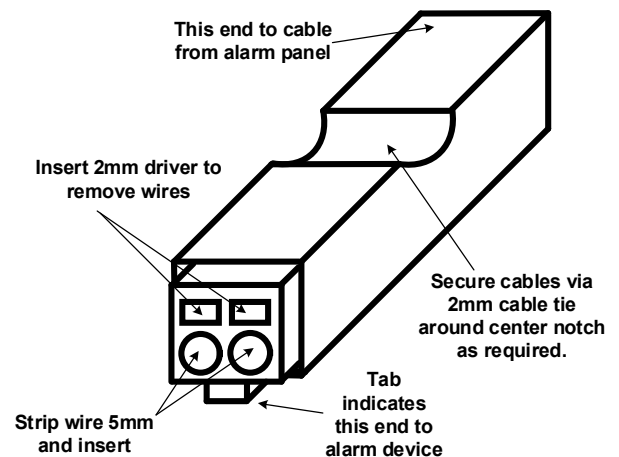
The ATMOD replaces traditional EOL resistors.

Termination

Strip the wires from the alarm sensor, reed switch, push button or other device so that about 5mm of conductor is exposed. Evenly twist the strands to make the conductor more ridged then insert into the round terminals at the tabbed end of the ATMOD. Ensure that the wire insulation ends inside the ATMOD terminal so that no conductor strands are exposed. A twisting motion may help insert the conductor.

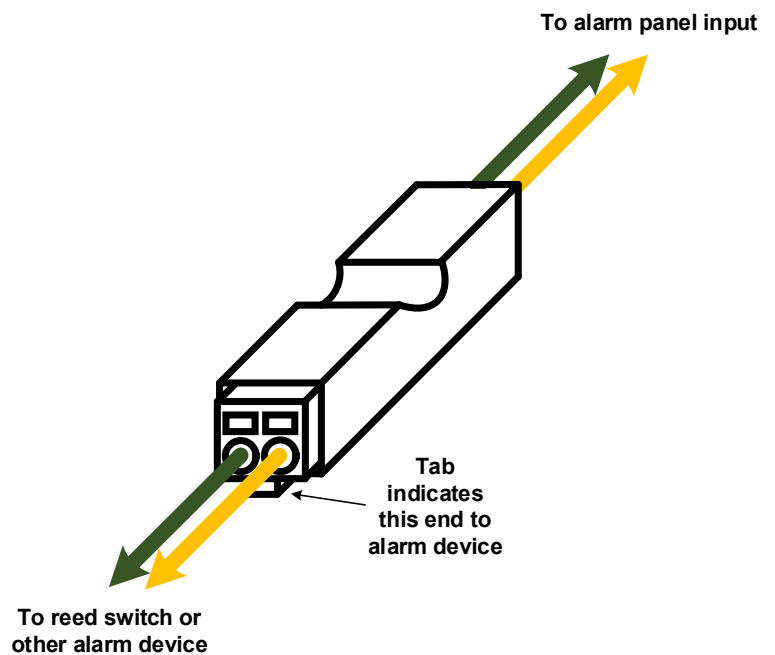
Repeat this action for the wires from the alarm panel, inserting these wires into the end of the ATMOD that has no tab. If the ATMOD is installed in a difficult-to-access area, or if there is a chance the cables may be put under stress, then fold the wires back across the ATMOD and secure at the centre of the ATMOD with a 2mm cable tie, as illustrated.

To use the ATMOD with alarm devices that do not have fly leads, such as a break glass unit, simply use two short lengths of insulated wire as the connection between the device and the ATMOD. The ATMOD terminals are also suitable for tinned and solid conductors. Further labour savings can be made by fitting the ATMOD to field devices in the workshop prior to site works. Installation on site is then much more efficient.



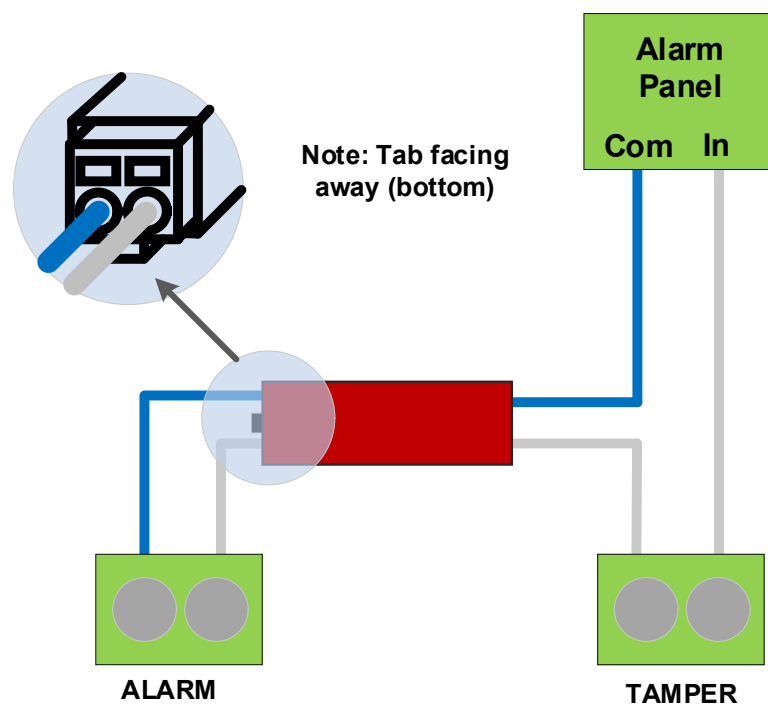
Typical Connection

Simple alarm sensors such as reed switches or lock monitoring contacts can be quickly connected to the alarm panel cables using an ATMOD.



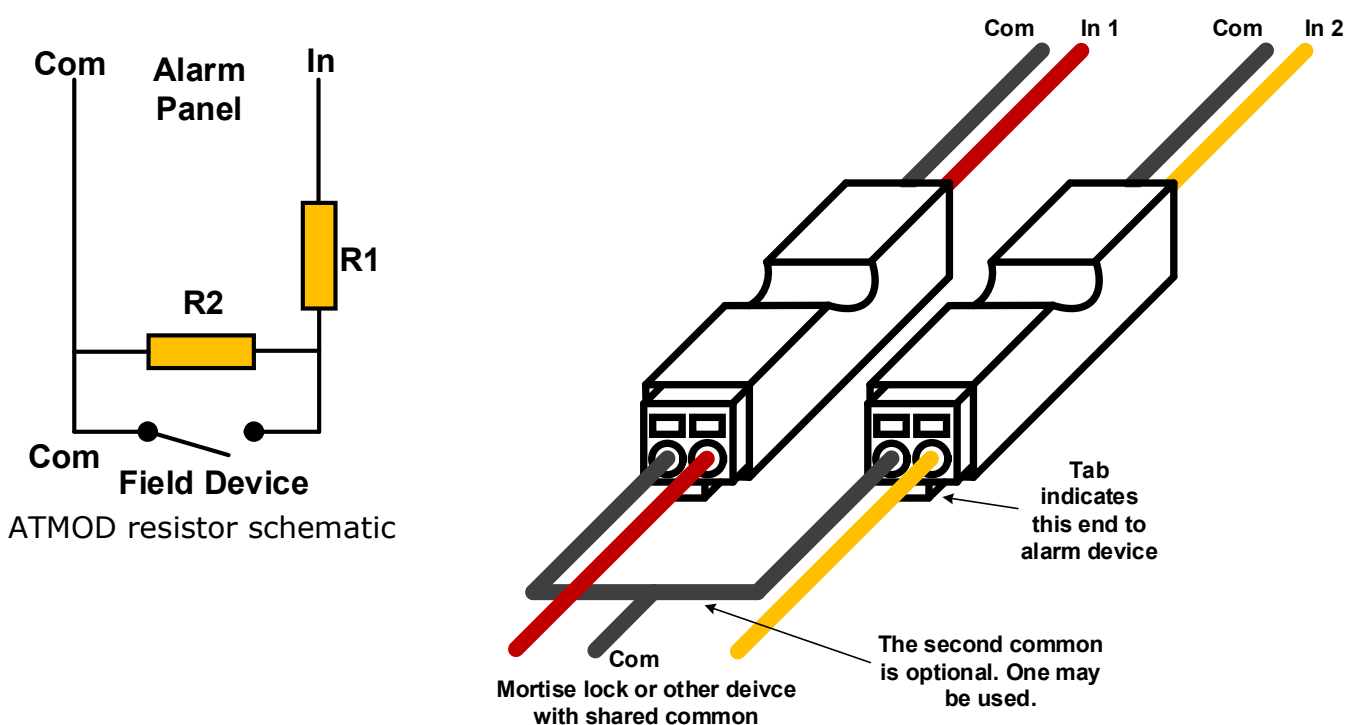
Devices with a Tamper Switch

The ATMOD can be used in devices that also feature a tamper switch such as motion detectors. Correct orientation of the ATMOD is important to ensure the right EOL resistor configuration.



Shared Common

To use the ATMOD with devices that share a common output wire, such as some mortise locks, it is important to wire the ATMOD in the correct method. This will ensure the common connection continues through to the alarm panel.



It is a good practice to always wire the common conductor in this method and keep the wire insulation colours the same. *Note: The new ATMOD V4 model features the tab offset to the input or non-common side of the ATMOD.*

Technical Data

Minimum conductor size	.2mm ² (24AWG)
Maximum conductor size	.5mm ² (20AWG)
Dimensions V2/V3	24 L X 7 W X 8 H (mm)
Dimensions V4**	20 L X 7 W X 8 H (mm)
RoHS	Compliant
AUS/NZ (RMC-EMC) 61000.6.3	Compliant
Primary materials	Polyamide 46, fiberglass, polyolefin
Country of origin	China

**Note: Version 4 will replace V3 as stock is exhausted.

Ordering Code

ATMOD18	180Ω/300Ω	PCSC	White
ATMOD01	1K/1K	Protégé, Mercury, Genetec, Lenel, Avigilon C•Cure	Black
ATMOD22	2K2/2K2	Integriti, Inception	Green
ATMOD68	2K2/6K8	Concept	Blue
ATMOD47	4K7/4K7	Gallagher	Yellow
ATMOD10	10K/10K	Tecom, Pacom, CS Technologies	Red
ATMOD680	680Ω/680Ω	Dormakaba	Grey
ATMOD122	1K/2K2	CEM	Grey/White
ATMOD33	3K3/3K3	Reliance	Brown
ATMOD374S	3K74	Reliance	Brown/Purple
ATMOD698S	6K98	Reliance	Brown/Blue
ATMOD33S	3K3	Reliance/Bosch	Brown/Black
ATMOD68S	6K8	Bosch	Brown/White
ATMOD36	6K8/3K3	Bosch	Brown/Orange
ATMOD2R	22K/22K**	Siemens	Orange
ATMOD-S	ATMOD with resistor values to suit your application, contact Jack Fuse		

**ATMOD-2R suits Siemens systems when mounted in reverse. That is, tab to security panel.

Learning

Become a **Jack Fuse Product and Power Certified Technician**. Free training available online.

More Information: For complete installation notes, data sheets and technical support please visit www.jackfuse.com

