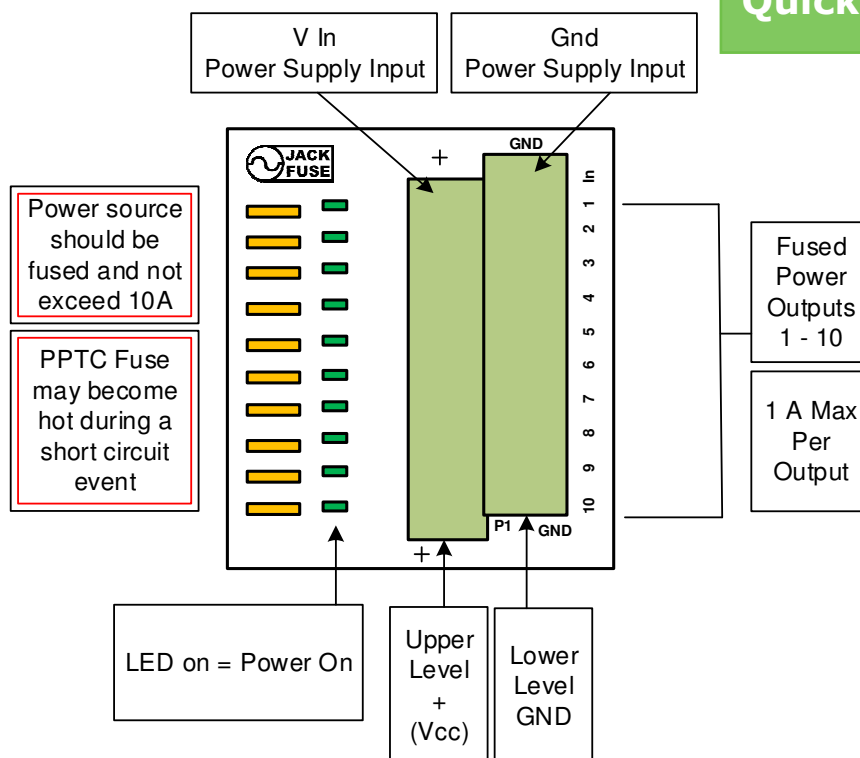


## Termination

## Power Port 10MG Quick Installation Note



## Mounting

Supplied clips suit most DIN rail types.

## Re-settable Fuses

The output fuse(s) will trip in an over-current situation and re-set when the current fault has cleared and the fuse cooled. (Typically, <1 second). Note that exact trip & re-set requirements are subject to variables such as voltage and temperature. Contact Jack Fuse for de-rating information. Beware that the fuses will become hot when tripped. Always avoid touching the fuses when the PP10HD is powered.

## Technical Data

Input voltage	5 to 24 VDC (power supply should have master fuse)
Number of outputs	10
Max current per output	1A
Fuse I-hold	1.1A (PTC fuse @ 20 degrees C)
Fuse I-trip	2.2A (PTC fuse @ 20 degrees C)
Max current total	10A
Max wire conductor size	3.3mm <sup>2</sup> (12 AWG)
Dimensions (with mounting clips)	75 L X 55 W X 55 H (mm)

**More Information:** For complete install notes, data sheets and technical support please visit [www.jackfuse.com](http://www.jackfuse.com)

Become a **Jack Fuse Product and Power Certified Technician**. Free training available online.

