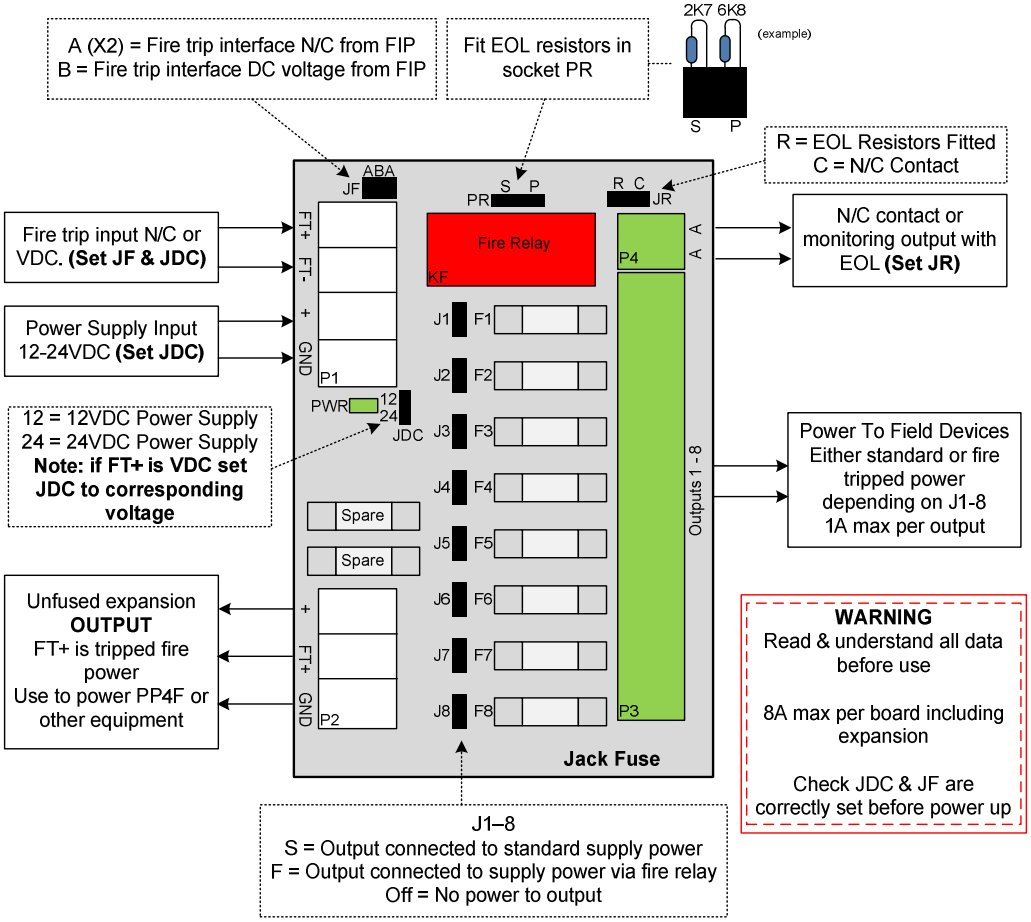


Power Port 8FR– V4 Quick Install Note

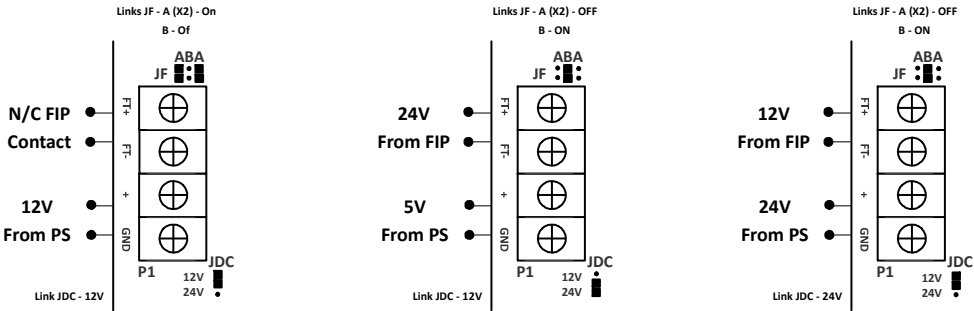
This note is a quick guide only. Please refer to full installation notes available from jackfuse.com before first installing these modules.

NOTE: If installed correctly you will NOT need a separate fire interface relay.



Fire Trip Interface

Correct polarity must be observed when powering the fire trip from an external source.



Technical Data

Input voltage range	0-30V DC
Fire relay coil voltage	12-24V DC
Max standard power current	8A
Max fire power current	8A
Max current per output	1A
Max alarm contact current	2A
Fused outputs	8
Fuse type	M205 1A
Mounting	DIN rail
On board spare fuse holders	2
Dimensions (with relay and mounting clips)	110 L X 75 W X 50 H (mm)
Mounting holes	8 X 3.5mm (to suit M3 screws and bolts)

LED Indicators

LED Designator	Description
D1-8	Fuse status, on indicates fuse intact and power is available.
DF	Fire relay status, on indicates relay is active and fire power is available.
PWR	Power is available from the power supply.

For complete install notes, data sheets and more products please visit

www.jackfuse.com

