



Ramseon Technology

## Power Port 4F – V3.02 Installation Notes

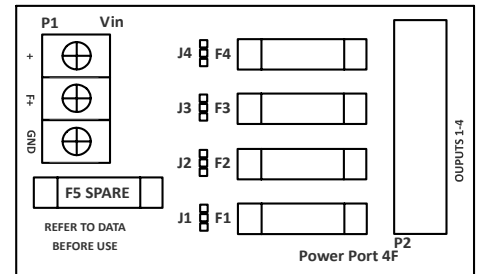


Image not to scale

### Fused power distribution module for access control and direct expansion for Power Port 8FR

- 1) Mounting
- 2) Termination
- 3) Jumper Settings
- 4) Expansion Options
  - 4.1) Additional Outputs
- 5) Fuse Selection and Replacement
- 6) Technical Data and Ratings

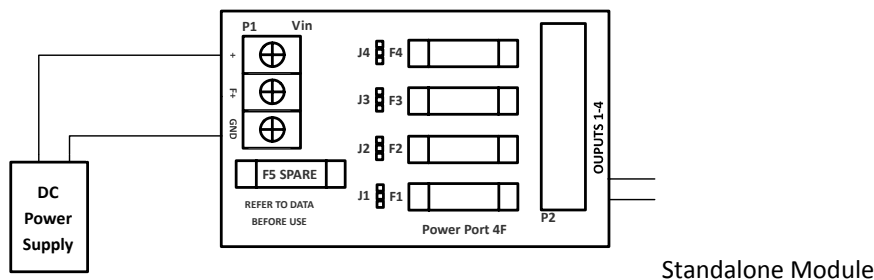
#### 1) Mounting

The PP4FR module has seven 3.5mm mounting holes that can be used with non metallic M3 standoffs, self adhesive pillars or DIN rail clips. The PP4F is also suited to a range of DIN rail mount 72mm PCB enclosures.

The recommended mounting option is two DIN rail mount clips that can be purchased with the PP4F as a kit or separately.

#### 2) Termination

The PP4F can be used as a standalone module or as a direct expansion board for the PP8FR (see section four expansion options.)



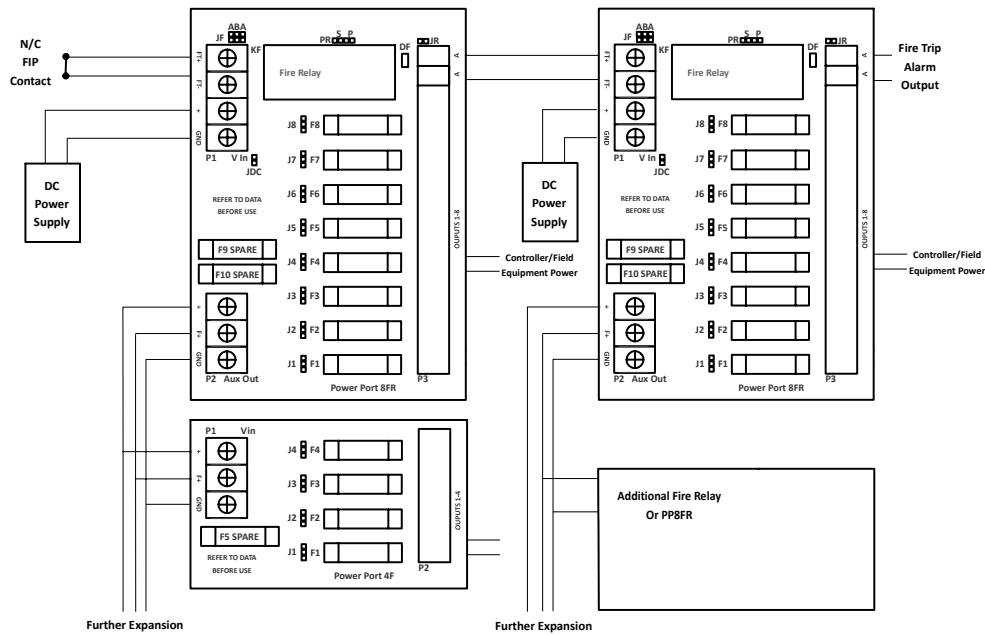
If used as a standalone module, fire power (F+) can be provided by a source such as a separate fire relay if required. Standard power (+) can be sourced from a suitable power supply. Care must be taken if using different power sources for fire and standard power. The PP4F module uses a common ground and this may affect operation of power supplies. Please consult power supply manufacturer before connection.

#### 3) Jumper Settings

Jumper/Link	Position	Description
J1-J4	Default	Associated output connected to supply power
	F	Associated output connected to supply power via fire relay
	Off	No power available to associated output

## 4) Expansion Options

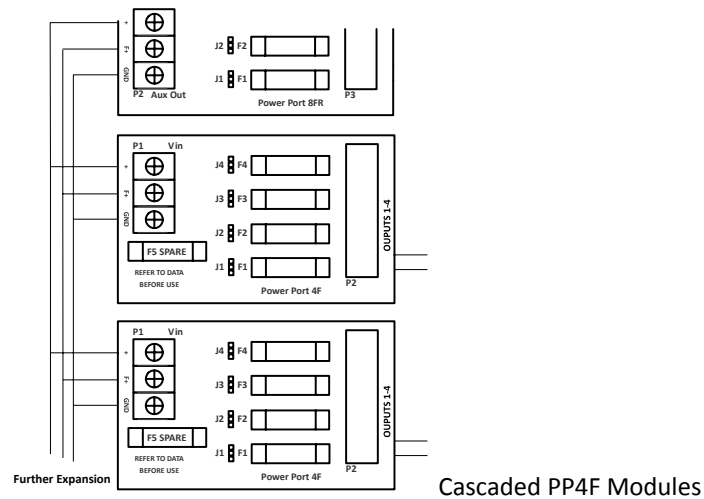
The PP4F is designed as an expansion board for the PP8FR. Examples of several expansion options are outlined in the diagram below.



### 4.1) Additional Outputs

Further fused power outputs can be added using more PP4F modules. More boards can be added as long as the total current drawn does not exceed PCB limit. (10A)

If current draw exceeds limitations an additional PP8FR module can be used.



## 5) Fuse Selection and Replacement

M205 fuses are used for each output. A spare fuse holder is available on board. The constant current drawn from an output must not exceed 2.5A however up to a 3A fuse may be used as the PP4F can accept slightly higher output current for a very short time. Fuses must be selected to match field device, power supply and cable specifications.

A blown fuse is identified by the LED indicator turning off. Remove the blown fuse by gently levering out the fuse with a flat blade terminal screwdriver placed under the centre of the fuse, then clip in a replacement fuse of the same type and rating.

## 6) Technical Data

Input voltage range	0-48V DC
Max standard power current	10A
Max fire power current	10A
Max constant current per output	2.5A
Max alarm contact current	2A
Fused outputs	4
Fuse type	M205
Mounting	Stand off or DIN rail mountable
On board spare fuse holders	1
Dimensions (without mounting options)	54 L X 72 W X 21 H (mm)
Mounting holes	7 X 3.5mm (to suit M3 screws and bolts)

## Connections

Terminal	Description	Max Conductor Size
(P1) + - FT - Gnd	Power input	2mm <sup>2</sup>
(P2) 1 - 4	Fused outputs	1.5mm <sup>2</sup>

## LED Indicators

LED Designator	Description
D1-4	Fuse status, on indicates fuse intact and power is available.

## More Information

Visit [www.electronicsecurityresource.com](http://www.electronicsecurityresource.com) for data sheets, installation notes and more.