

Power Port 2FR-HC DATASHEET

The Power Port 2FR-HC provides fire trip and power distribution for electronic access control applications.

Suitable for high-current applications, two door controllers and adding outputs to existing Power Port modules.

Applications

- Power distribution for electronic access control and security devices
- Fused over-current protection
- Power for multiple high current devices
- Automatic fire alarm emergency release of electric door locks
- Two door controller power distribution
- Expansion of existing power distribution solutions

Features

- Two, high current fused outputs.
- Individually field-selectable power outputs – fire power or standard power.
- On-board fire trip control.
- Reduced material list, cost and install time compared to traditional methods

Benefits

The PP2FR-HC provides essential power protection and fire trip interface in a compact package. Smaller than other Power Port modules, the PP2FR-HC works well with distributed two-door access controllers.

Each fuse can meet a higher current demand than other power distribution modules making it useful for power hungry applications such as multiple electromagnetic locks or daisy chained, field mounted door controllers.

Technical Data

Input voltage range	PP2FR-HC-12 – 12VDC +/- 20% PP2FR-HC-24 – 24VDC +/- 20%
Fire relay coil voltage	PP2FR-HC-12 – 12VDC +/- 20% PP2FR-HC-24 – 24VDC +/- 20%
Max. standard power current	8A
Max. constant current per output	4A*
Fused outputs	2
Fuse type	4A Fast Blow
Mounting	DIN rail
Dimensions	35 L X 75 W X 51 H (mm)
Country of origin	China

*Note a small voltage drop will be present across the fuse when approaching the full current rating.

Connections

Terminal	Description	Max Conductor Size
P1 – FT- FT+	Fire panel trip interface	3.5mm ²
P1 – GND & VIN	DC Power supply input	3.5mm ²
P2 1 - 2	Fused outputs	3.5mm ²

Function

Power Input. The PP2FR-HC module is powered by any suitable DC supply connected to the clearly marked terminals. A green power LED indicates power is available.

Fused Outputs. The two power outputs are individually protected by a glass fuse that will blow/activate when a current greater than the fuse rating is drawn via the output for a short period.

Power to the two outputs is fed via individual, high current output control relays. The relays allow each output to be fire tripped or connected to standard non-tripped power. Each output features a link/jumper combo to facilitate fire trip or standard power control.

Each output has an individual status LED. The LED will be active whenever power is available at the output. The LED will deactivate in the event of a blown fuse or if that output is set to fire power and the fire relay has tripped. Each status LED is located directly under the appropriate glass fuse to greatly aid visual confirmation of fuse status.

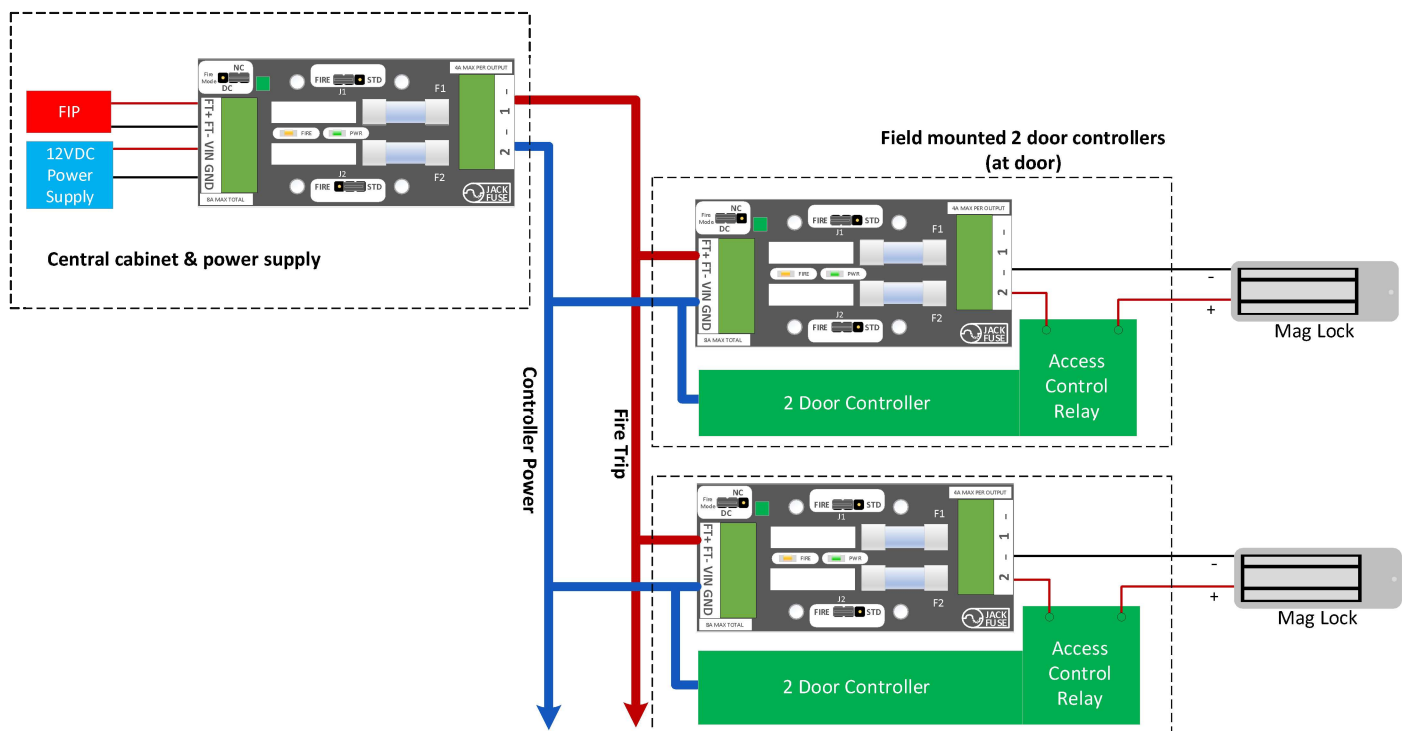
Fire Trip Interface. The output control relays may connect to the fire indication panel in two modes. They can be activated by a voltage signal from the fire panel or via a voltage free, normally-closed contact at the fire panel or other device. The operation mode used is set by an on-board jumper.

Application Examples

Power Distribution – Two Door Controllers

The PP2FR-HC is suitable for use with any two-door access controller to provide a fire trip interface and power protection. The PP2FR-HC can be mounted with the controller, in the field or in a central panel.

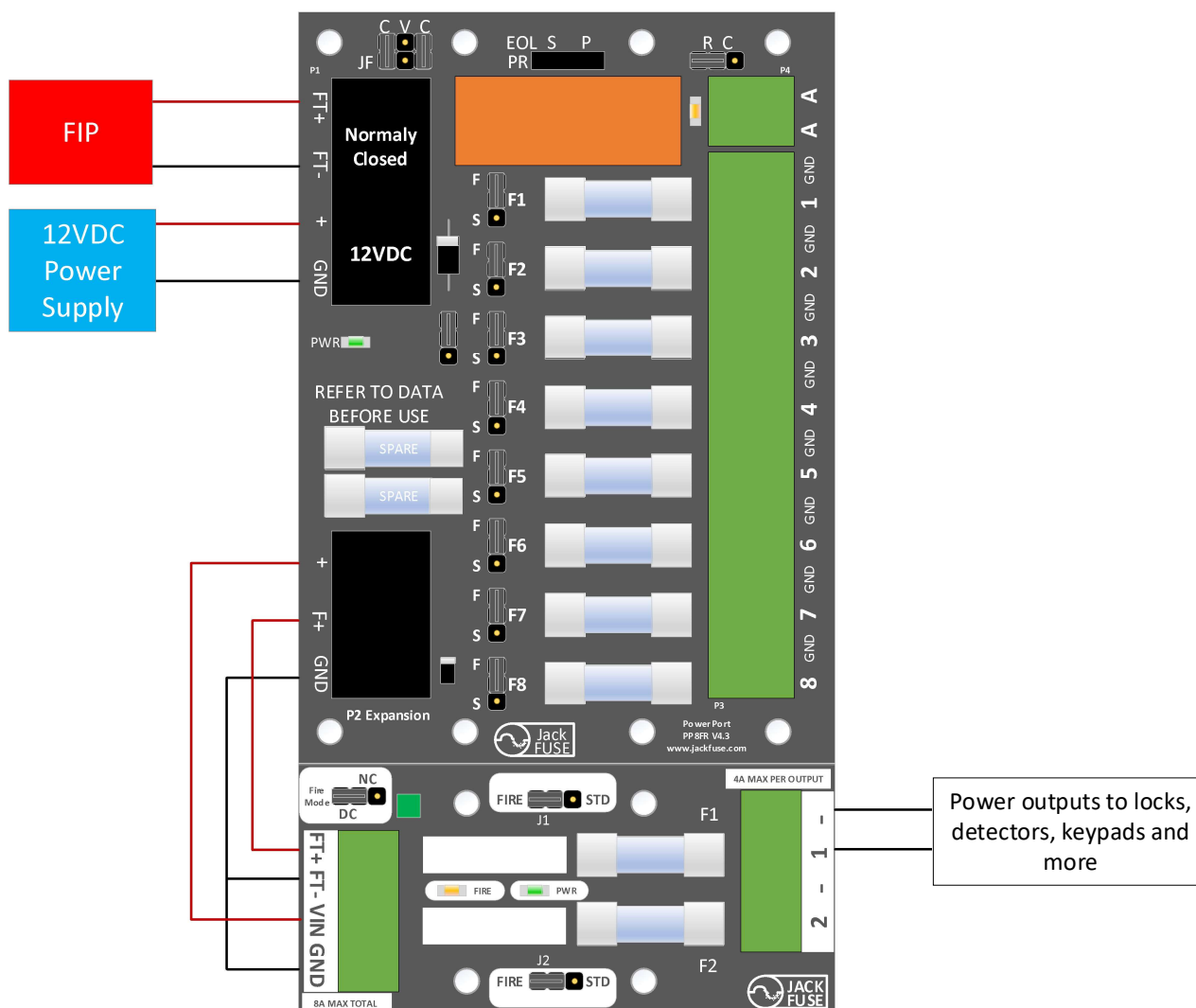
The example pictured below achieves excellent power, fire trip and protection redundancy ensuring a reliable, safe and protected installation when using field mounted door controllers.



Power Distribution Expansion

The PP2FR-HC can be used to easily add extra outputs when expanding an electronic access control system.

The example shown below shows one of the ways a PP2FR-HC can be used to add outputs to an existing Power Port module.



Expansion with single power supply. Do not exceed 8A Total.

Mounting

The PP2FR-HC module is supplied pre-fitted with cost effective DIN rail mount clips suitable for most DIN rail profiles.

The PP2FR-HC is also suitable for use with popular "Snap Track" made by TE Connectivity, part number 4TK2.

Specifier Text

PP2FR-HC

Electric locks on any door in a fire egress path must be interfaced to the emergency evacuation system in order to unlock during an alarm. This shall be achieved via an interface relay built into a DIN rail mount power distribution module.

Each electric lock (or multiple locks for a single entry) shall be individually powered via a fused output from the fire tripped power distribution module. (Refer to AS/CA S0009:2020) The fire trip module shall have field selectable outputs that can provide either standard (non-tripped) power or fire tripped power.

Door controllers located in the field (local to a door) and associated locks shall be powered via a centrally located power distribution module complete with fused power protection and fire trip interface. Individual local lock power circuits shall be further protected by a local power distribution module with built in fuse(s). The fuse size shall be selected to suit each scenario.

Ordering Code

PP2FR-HC-12	Power Port 2FR-HC supplied with a din rail mount kit, fire relays and 2 X 4A outputs. Suitable for 12VDC
PP2FR-HC-24	Power Port 2FR-HC supplied with a din rail mount kit, fire relays and 2 X 4A outputs. Suitable for 24VDC
PP8FR	Power Port 8FR supplied with a din rail mount kit, fire relay and 8 X 1A glass fuses.
PP10MG	Power Port 10MG supplied with a din rail mount kit and 10 X 1A glass fuses
PP8PTC	Power Port 8PTC supplied with a din rail mount kit, fire relay and 8 X self-healing fuses.
PP5FR-UNI	Power Port 5FR-UNI, mounts in Gallagher and Inner Range module footprints. 5 X Self-healing fuses. Din rail mount kit optional.
PP10HD	Power Port 10HD supplied with a din rail mount kit and 10 X 1A self-healing fuses

Learning

Become a **Jack Fuse Product and Power Certified Technician**. Free training available online.

More Information: For complete installation notes, data sheets and technical support please visit www.jackfuse.com

